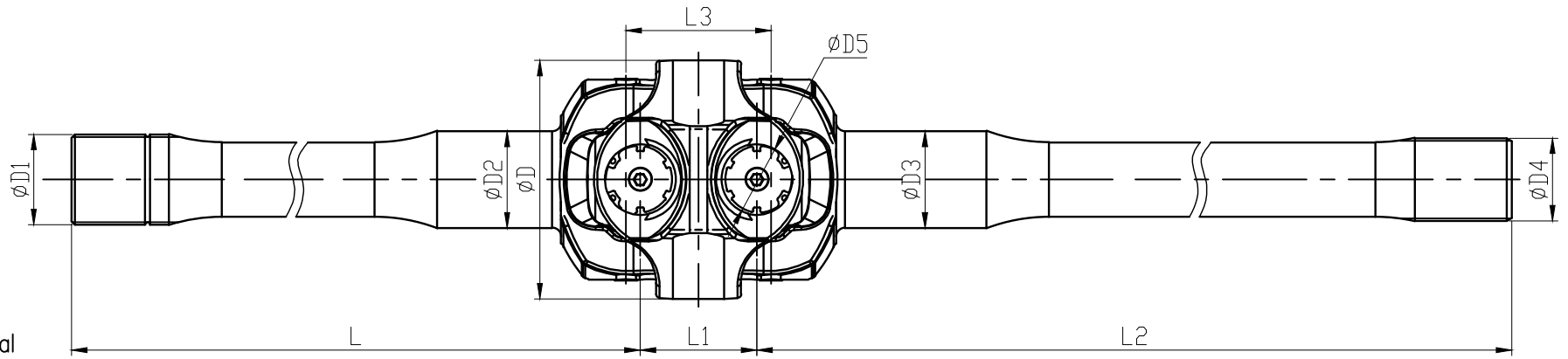


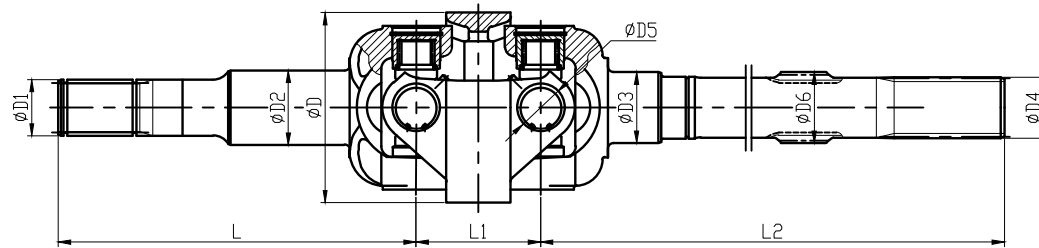
半轴万向节总成
half axis universal
joint assembly

型号 Model	L	L1	L2	φD	φD2	φD3	花键参数 Parameter of spline				φD5	工作转角 Working Angle	
							参数位置 parameter position	模数 module	齿数 number of teeth	压力角 pressure angle			变位系数 modification coefficients
XK-350-01半轴万向节总成 XK-350-01 half axis universal joint assembly	159	90	400	132	60	60	φD1	2	19	30		41	27
							φD4	2.5	16	30			



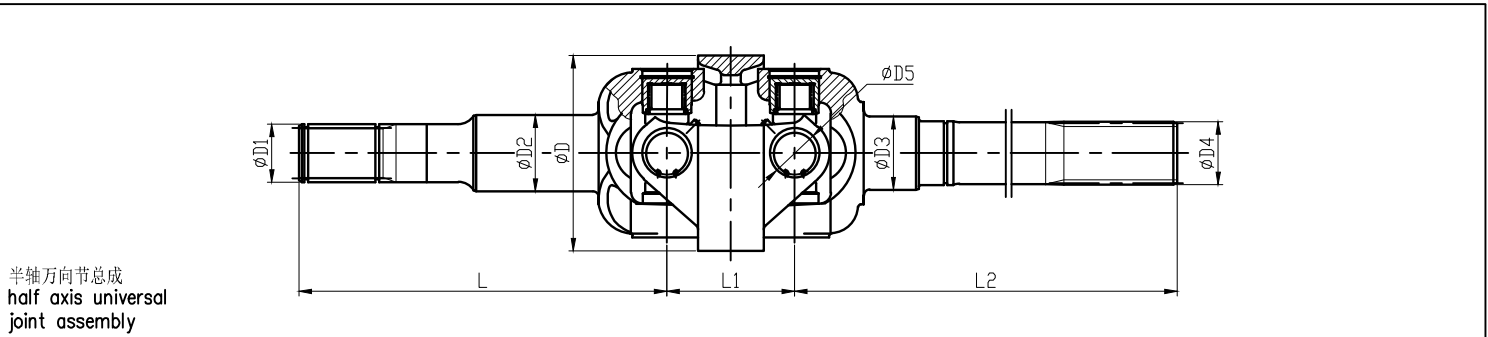
半轴万向节总成
half axis universal
joint assembly

型号 Model	L	L1	L3	L2	ϕD	$\phi D2$	$\phi D3$	花键参数 Parameter of spline				$\phi D5$	工作转角 Working Angle	
								参数位置 parameter position	模数 module	齿数 number of teeth	压力角 pressure angle			变位系数 modification coefficients
XK-340-01半轴总成 XK-340-01 half axis universal joint assembly	344.2	68	84	676.8	138	58	58		2.5	20	30	0.45	40	42
XK-340-02半轴总成 XK-340-02 half axis universal joint assembly	344.2	68	84	876.8	138	58	58		2.5	20	30	0.45	40	42
XK-340-03双联万向节总成 XK-340-03 Dual universal joint assembly	438.3	66	82	779	135	55	55	$\phi D1$	1.25	40	30		40	40
								$\phi D4$	1.27	36	37.5			
XK-340-04双联万向节总成 XK-340-04 Dual universal joint assembly	438.3	66	82	726	135	55	55	$\phi D1$	1.25	40	30		40	40
								$\phi D4$	1.27	36	37.5			

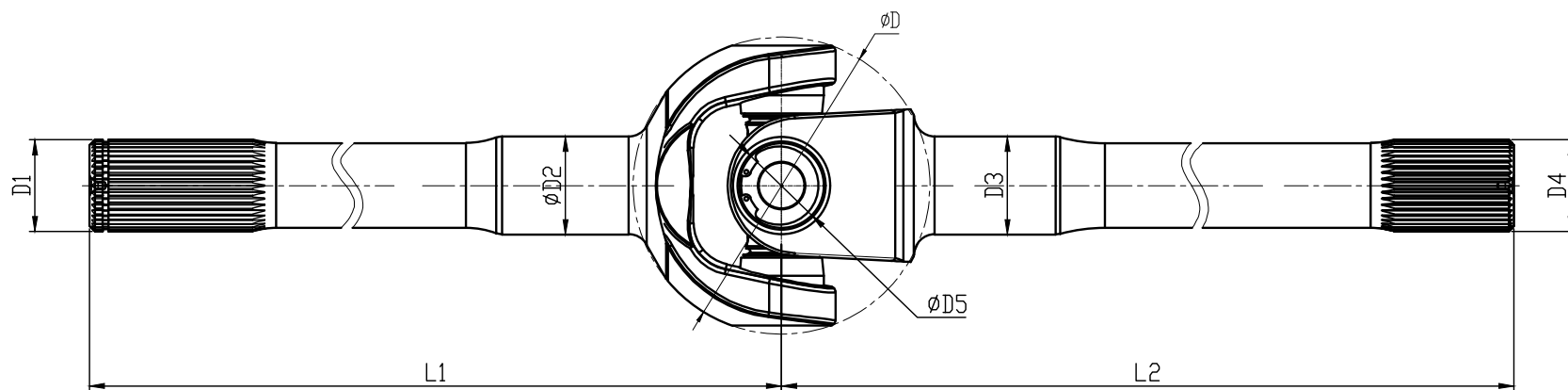


半轴万向节总成
half axis universal
joint assembly

型号 Model	L	L1	L2	ØD	ØD2	ØD3	花键参数 Parameter of spline				ØD5	工作转角 Working Angle	
							参数位置 parameter position	模数 module	齿数 number of teeth	压力角 pressure angle			变位系数 modification coefficients
XK-140-01后桥联接半轴万向节总成 XK-140-01 half axis universal joint assembly	127	70	609	110	42	55	ØD1	2	18	30	0.45	32	46
							ØD4	2.5	14	30			
							ØD6	2.5	18	30			
XK-140-02后桥联接半轴万向节总成 XK-140-02 half axis universal joint assembly	163.5	70	713.5	110	42	55	ØD1	2	18	30	0.45	32	46
							ØD4	2.5	14	30			
							ØD6	2.5	18	30			
XK-140-03取力半轴万向节总成 XK-140-03 half axis universal joint assembly	242	72	797	112	60	55	ØD1	3.4	14	22.5	0.5	32	45
							ØD4	1.25	29	30	0.15		
							ØD6	2.54	16	30	0.0372		
XK-140-04取力半轴万向节总成 XK-140-04 half axis universal joint assembly	242	72	731.5	112	60	55	ØD1	3.4	14	22.5	0.5	32	45
							ØD4	1.25	29	30	0.15		
							ØD6	2.54	16	30	0.0372		
XK-030-01取力半轴万向节总成 XK-030-01 half axis universal joint assembly	235.5	83	711	127	58	48	ØD1	3	15	22.5	0.72	35	52
							ØD4	1.5	26	30	0.675		
							ØD6	1.5	28	30			
XK-140-05等动轴总成 XK-140-05 half axis universal joint assembly	215.5	72	795.5	110.3	60	55	ØD1	2.65	14	22° 30'	0.6	32	55
							ØD4	1.25	29	30	0.15		
							ØD6	2.75	16	30	-0.098		
XK-140-06前桥联接半轴万向节总成 XK-140-06 half axis universal joint assembly	163.5	70	713.5	110	42	55	ØD1	2	18	30	0.45	32	46
							ØD4	2.5	14	30			
							ØD6	2.5	18	30			
XK-140-07前桥联接半轴万向节总成 XK-140-07 half axis universal joint assembly	127	70	609	110	42	55	ØD1	2	18	30	0.45	32	46
							ØD4	2.5	14	30			
							ØD6	2.5	18	30			

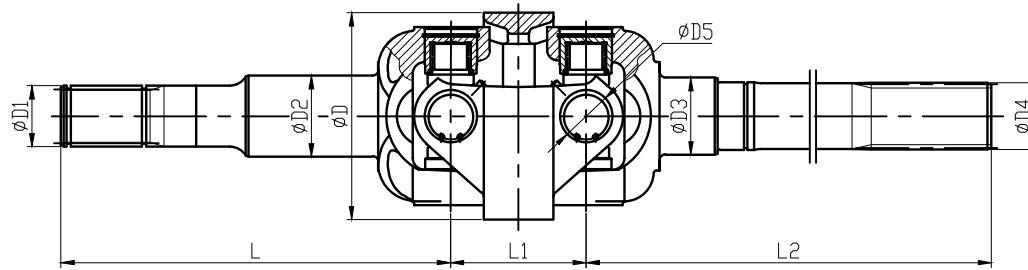


型号 Model	L	L1	L2	ØD	ØD2	ØD3	花键参数 Parameter of spline				ØD5	工作转角 Working Angle
							参数位置 parameter position	模数 module	齿数 number of teeth	压力角 pressure angle		
XK-100-01右半轴万向节总成 XK-100-01 right half axis universal joint assembly	201.5	70	673.5	107	42	40	ØD1	2	14	30	27	52
							ØD4	2.75	12	30		
XK-100-02左半轴万向节总成 XK-100-02 left half axis universal joint assembly	201.5	70	613.5	107	42	40	ØD1	2	14	30	27	52
							ØD4	2.75	12	30		
XK-100-03右半轴万向节总成 XK-100-03 right half axis universal joint assembly	201.5	70	571	107	42	40	ØD1	2	14	30	27	52
							ØD4	2.75	12	30		
XK-100-04左半轴万向节总成 XK-100-04 left half axis universal joint assembly	201.5	70	510	107	42	40	ØD1	2	14	30	27	52
							ØD4	2.75	12	30		
XK-100-05左半轴万向节总成 XK-100-05 right half axis universal joint assembly	201.5	70	571	107	42	40	ØD1	2	14	30	27	52
							ØD4	2.75	12	30		
XK-100-06左半轴万向节总成 XK-100-06 left half axis universal joint assembly	201.5	70	510	107	42	40	ØD1	2	14	30	27	52
							ØD4	2.75	12	30		
XK-100-07右半轴万向节总成 XK-100-07 right half axis universal joint assembly	201.5	70	751.5	107	42	40	ØD1	2	14	30	27	52
							ØD4	2.75	12	30		
XK-100-08左半轴万向节总成 XK-100-08 left half axis universal joint assembly	201.5	70	691.5	107	42	40	ØD1	2	14	30	27	52
							ØD4	2.75	12	30		
XK-100-09万向节传动轴总成 XK-100-09 half axis universal joint assembly	184.5	70	691.5	107	45	40	ØD1	0.75	42	45	27	52
							ØD4	2.75	12	30		
XK-100-10左半轴万向节总成 XK-100-10 left half axis universal joint assembly	184.5	70	760	107	45	40	ØD1	0.75	42	45	27	52
							ØD4	2.75	12	30		
XK-100-11右半轴万向节总成 XK-100-11 right half axis universal joint assembly	201.5	70	751.5	107	42	40	ØD1	2	14	30	27	52
							ØD4	2.75	12	30		
XK-100-12左半轴万向节总成 XK-100-12 left half axis universal joint assembly	201.5	70	691.5	107	42	40	ØD1	2	14	30	27	52
							ØD4	2.75	12	30		



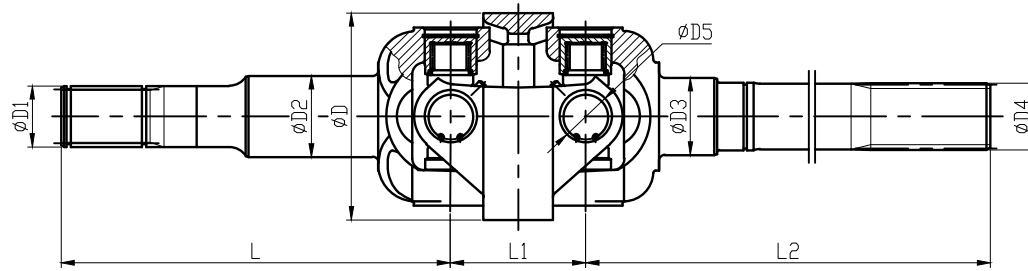
半轴总成
Half shaft assembly

型号 Model	L	L2	ϕD	$\phi D2$	$\phi D3$	花键参数 Parameter of spline				$\phi D5$	工作转角 Working Angle	
						参数位置 parameter position	模数 module	齿数 number of teeth	压力角 pressure angle			变位系数 modification coefficients
XK-BZ50150-01半轴总成 XK-BZ50150-01 Half shaft assembly	484.4	987.8	173	57.125	57.125	$\phi D1$	1.27	41	37.5		50	35
						$\phi D4$	1.27	41	37.5			
XK-BZ50150-02半轴总成 XK-BZ50150-02 Half shaft assembly	484.4	1046.2	173	57.125	57.125	$\phi D1$	1.27	41	37.5		50	35
						$\phi D4$	1.27	41	37.5			
XK-BZ50150-03半轴总成 XK-BZ50150-03 Half shaft assembly	534	841	173	57.125	57.125	$\phi D1$	1.27	41	37.5		50	35
						$\phi D4$	1.27	41	37.5			
XK-BZ50150-04半轴总成 XK-BZ50150-04 Half shaft assembly	534	823	173	57.125	57.125	$\phi D1$	1.27	41	37.5		50	35
						$\phi D4$	1.27	41	37.5			
XK-BZ50150-05半轴总成 XK-BZ50150-05 Half shaft assembly	442.3	875	173	57.125	57.125	$\phi D1$	1.27	41	37.5		50	35
						$\phi D4$	1.27	41	37.5			
XK-BZ50150-06半轴总成 XK-BZ50150-06 Half shaft assembly	442.3	896.5	173	57.125	57.125	$\phi D1$	1.27	41	37.5		50	35
						$\phi D4$	1.27	41	37.5			



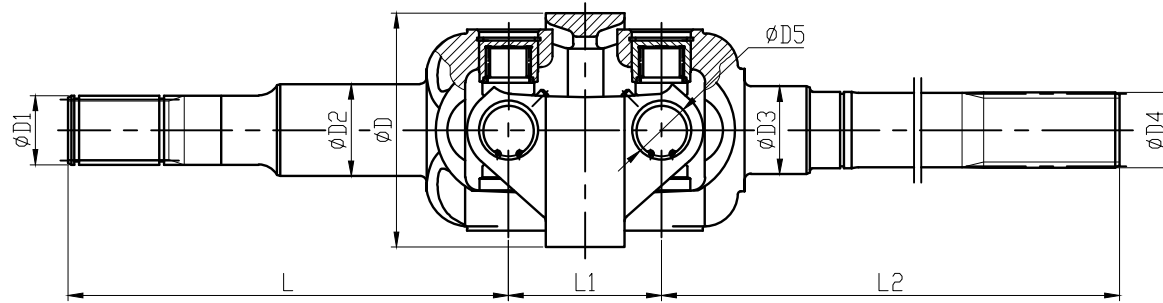
半轴万向节总成
half axis universal
joint assembly

型号 Model	L	L1	L2	φD	φD2	φD3	花键参数 Parameter of spline				φD5	工作角度 Working Angle	
							参数位置 parameter position	模数 module	齿数 number of teeth	压力角 pressure angle			修正系数 modification coefficients
XK-140-08右半轴万向节总成 XK-140-08 right half axis universal joint assembly	217	72	760	110	48	40	φD1	3	13	25	0.455	32	52
							φD4	2.75	12	30			
XK-140-09左半轴万向节总成 XK-140-09 left half axis universal joint assembly	217	72	688	110	48	40	φD1	3	13	25	0.455	32	52
							φD4	2.75	12	30			
XK-140-10右半轴万向节总成 XK-140-10 right half axis universal joint assembly	201	72	777	110	48	40	φD1	3	13	25	0.455	32	52
							φD4	2	17	30			
XK-140-11左半轴万向节总成 XK-140-11 left half axis universal joint assembly	201	72	709	110	48	40	φD1	3	13	25	0.455	32	52
							φD4	2	17	30			
XK-140-12半轴万向节总成 XK-140-12 half axis universal joint assembly	201	72	740	110	48	40	φD1	3	13	25	0.455	32	52
							φD4	2	17	30			
XK-140-13右半轴万向节总成 XK-140-13 right half axis universal joint assembly	210.2	72	777	110	48	40	φD1	3	13	25	0.455	32	52
							φD4	2	17	30			
XK-140-14左半轴万向节总成 XK-140-14 left half axis universal joint assembly	210.2	72	709	110	48	40	φD1	3	13	25	0.455	32	52
							φD4	2	17	30			
XK-140-15右半轴万向节总成 XK-140-15 right half axis universal joint assembly	235.2	72	777	110	65	40	φD1	3	15	25	0.5194	32	52
							φD4	2	17	30			
XK-140-16左半轴万向节总成 XK-140-16 left half axis universal joint assembly	235.2	72	709	110	65	40	φD1	3	15	25	0.5194	32	52
							φD4	2	17	30			
XK-140-17右半轴万向节总成 XK-140-17 right half axis universal joint assembly	201	72	777	110	60	40	φD1	3	13	25	0.455	32	52
							φD4	2	17	30			
XK-140-18左半轴万向节总成 XK-140-18 left half axis universal joint assembly	201	72	709	110	60	40	φD1	3	13	25	0.455	32	52
							φD4	2	17	30			



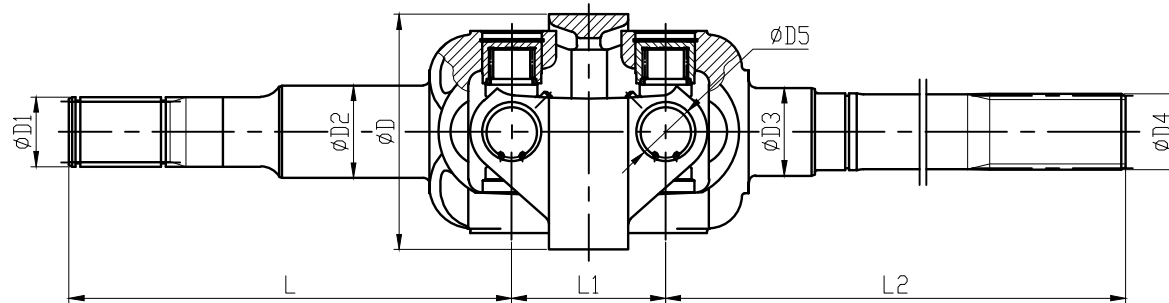
半轴万向节总成
half axis universal
joint assembly

型号 Model	L	L1	L2	ØD	ØD2	ØD3	花键参数 Parameter of spline				ØD5	工作转角 Working Angle	
							参数位置 parameter position	模数 module	齿数 number of teeth	压力角 pressure angle			变位系数 modification coefficients
XK-110-19半轴万向节总成 XK-110-19 half axis universal joint assembly	235.2	72	738	110	65	40	ØD1	3	15	25	0.5194	32	52
							ØD4	2	17	30			
XK-100-13右半轴万向节传动轴总成 XK-100-13 right half axis universal joint assembly	201.5	70	472	107	42	40	ØD1	2	14	30		27	52
							ØD4	2.75	12	30			
XK-100-14左半轴万向节总成 XK-100-14 left half axis universal joint assembly	201.5	70	932	107	42	40	ØD1	2	14	30		27	52
							ØD4	2.75	12	30			
XK-100-15右半轴万向节总成 XK-100-15 right half axis universal joint assembly	201.5	70	527	107	42	40	ØD1	2	14	30		27	52
							ØD4	2.75	12	30			
XK-100-16左半轴万向节总成 XK-100-16 left half axis universal joint assembly	201.5	70	987	107	42	40	ØD1	2	14	30		27	52
							ØD4	2.75	12	30			
XK-100-17右半轴万向节总成 XK-100-17 right half axis universal joint assembly	201.5	70	678.5	107	42	45	ØD1	2	14	30		27	52
							ØD4	2.75	12	30			
XK-100-18左半轴万向节总成 XK-100-18 left half axis universal joint assembly	201.5	70	1498.5	107	42	45	ØD1	2	14	30		27	52
							ØD4	2.75	12	30			
XK-140-20半轴万向节总成 XK-140-20 half axis universal joint assembly	209	72	728	110	45	35	ØD1	3	12	20	0.6132	32	52
							ØD4	1.25	22	30			
XK-120-01右半轴万向节总成 XK-120-01 right half axis universal joint assembly	207	70	762	110	42	48	ØD1	2	14	30		30	50
							ØD4	2.75	12	30			
XK-120-02左半轴万向节总成 XK-120-02 left half axis universal joint assembly	207	70	692	110	42	48	ØD1	2	14	30		30	50
							ØD4	2.75	12	30			
XK-140-21半轴万向节总成 XK-140-21 half axis universal joint assembly	221.8	72	726.5	110	48	48	ØD1	3	13	25	0.455	32	52
							ØD4	2.75	12	30			



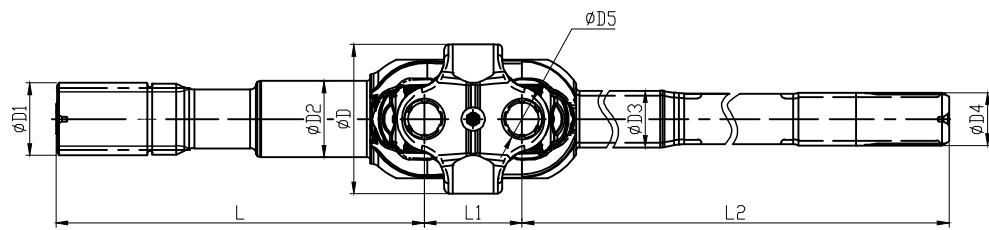
半轴万向节总成
half axis universal
joint assembly

型号 Model	L	L1	L2	ϕD	$\phi D2$	$\phi D3$	花键参数 Parameter of spline				$\phi D5$	工作转角 Working Angle	
							参数位置 parameter position	模数 module	齿数 number of teeth	压力角 pressure angle			变位系数 modification coefficients
XK-100-19半轴万向节总成 XK-100-19 half axis universal joint assembly	218	70	677	107	48	40	$\phi D1$	3	13	25	0.455	27	52
							$\phi D4$	2.75	12	30			
XK-100-20左半轴万向节总成 XK-100-20 left half axis universal joint assembly	218	70	1507	107	48	40	$\phi D1$	3	13	25	0.455	27	52
							$\phi D4$	2.75	12	30			
XK-330-02半轴万向节总成 XK-330-02 half axis universal joint assembly	208	83	796	127	45	45	$\phi D1$	2.75	14	25	0.2238	35	55
							$\phi D4$	2	18	30	0.45		
XK-330-03半轴万向节总成 XK-330-03 half axis universal joint assembly	208	83	731	127	45	45	$\phi D1$	2.75	14	25	0.2238	35	55
							$\phi D4$	2	18	30	0.45		
XK-140-22半轴万向节总成 XK-140-22 half axis universal joint assembly	201	72	737	110	48	42	$\phi D1$	3	13	25	0.454	32	52
							$\phi D4$	2	17	30			
XK-140-23右半轴万向节总成 XK-140-23 half axis universal joint assembly	185	72	727	110	45	35	$\phi D1$	3	12	25	0.473	32	52
							$\phi D4$	1.25	22	30	0.45		
XK-140-24右软接半轴万向节总成 XK-140-24 right half axis universal joint assembly	241.5	72	915	110	58	48	$\phi D1$	3	15	22.5	0.72	32	52
							$\phi D4$	1.5	26	30	0.675		
XK-140-25左软接半轴万向节总成 XK-140-25 left half axis universal joint assembly	241.5	72	515	110	58	48	$\phi D1$	3	15	22.5	0.72	32	52
							$\phi D4$	1.5	26	30	0.675		
XK-360-01半轴万向节总成 XK-360-01 half axis universal joint assembly	563	96	822	195	85	85		1.27	46	37.5		52	32
XK-360-02半轴万向节总成 XK-360-02 half axis universal joint assembly	563	96	762	195	85	85		1.27	46	37.5		52	32



半轴万向节总成
half axis universal
joint assembly

型号 Model	L	L1	L2	φD	φD2	φD3	花键参数 Parameter of spline				φD5	工作转角 Working Angle
							参数位置 parameter position	模数 module	齿数 number of teeth	压力角 pressure angle		
XK-100-21左半轴万向节传动轴总成 XK-100-21 left half axis universal joint assembly	201.5	70	603	107	42	40	φD1	2	14	30	27	50
							φD4	2.75	12	30		
XK-100-22右半轴万向节总成 XK-100-22 right half axis universal joint assembly	201.5	70	673	107	42	40	φD1	2	14	30	27	50
							φD4	2.75	12	30		
XK-140-26半轴万向节总成 XK-140-26 half axis universal joint assembly	244.5	72	726.5	110	55	48	φD1	3	15	25	32	52
							φD4	2.75	12	30		
XK-120-03左半轴万向节总成 XK-120-03 left half axis universal joint assembly	207	70	692	110	42	48	φD1	1.5	22	30	30	50
							φD4	2.75	12	30		
XK-120-04右半轴万向节总成 XK-120-04 right half axis universal joint assembly	207	70	762	110	42	48	φD1	1.5	22	30	30	50
							φD4	2.75	12	30		
XK-140-27半轴万向节总成 XK-140-275 half axis universal joint assembly	228	72	726.5	110	48	45	φD1	3	13	25	32	52
							φD4	2.75	12	30		
XK-100-23右半轴万向节总成 XK-100-23 right half axis universal joint assembly	201.5	70	673	107	42	40	φD1	1.5	20	30	27	50
							φD4	2.75	12	30		
XK-100-21左半轴万向节总成 XK-100-21 left half axis universal joint assembly	201.5	70	603	107	42	40	φD1	1.5	20	30	27	50
							φD4	2.75	12	30		
XK-140-28半轴万向节总成 XK-140-28 half axis universal joint assembly	228	72	726.5	110	48	45	φD1	3	13	25	32	52
							φD4	2.75	12	30		



半轴万向节总成
half axis universal joint assembly

型号 Model	L	L1	L2	φD	φD2	φD3	花键参数 Parameter of spline				φD5	工作转角 Working Angle	
							参数位置 parameter position	模数 module	齿数 number of teeth	压力角 pressure angle			变位系数 modification coefficients
M-330-04半轴万向节总成 M-330-04 half axis universal joint assembly	276.5	83	731	125	70	48	φD1	3	16	25	0.456	35	55
							φD4	1.5	29	30			
M-330-05半轴万向节总成 M-330-05 half axis universal joint assembly	312	83	795	127	65	48	φD1	3.5	15	25	0.3316	35	55
							φD4	1.5	29	30			
M-330-06左半轴万向节总成 M-330-06 left half axis universal joint assembly	402	83	451	127	50	50		1.667	27	20	0.8	35	28
M-330-07右半轴万向节总成 M-330-07 right half axis universal joint assembly	402	83	422	127	50	50		1.667	27	20	0.8	35	28
M-330-02半轴万向节总成 M-330-02 half axis universal joint assembly	351.5	90	400	132	55	60	φD1	3	16	20	0.15	41	27
							φD4	2.5	16	30			
M-100-23双联万向节总成 M-100-23 Dual universal joint assembly	337.5	66	414	93	55	55	φD1	2.75	14	20	0.35	27	27
							φD4	2	16	30	0.6		
M-350-03半轴万向节总成 M-350-03 half axis universal joint assembly	338.5	90	535	132	55	60	φD1	3	16	20	0.15	41	27
							φD4	2	19	30			
M-100-23双联半轴万向节总成 M-100-23 Dual universal joint assembly	172	66	592	93	45	45	φD1	2.309	17	20	0.488	27	40
							φD4	1.25	22	30	0.45		
M-330-08半轴万向节总成 M-330-08 half axis universal joint assembly	274	83	730	127	58	48	φD1	3	15	25	0.6	35	55
							φD4	1.5	28	30	0.45		
M-330-09半轴万向节总成 M-330-09 half axis universal joint assembly	274	83	730	127	58	48	φD1	3	15	25	0.6	35	55
							φD4	1.5	28	30	0.45		
M-330-10半轴万向节总成 M-330-10 half axis universal joint assembly	274	83	730	127	58	48	φD1	3	15	25	0.6	35	55
							φD4	1.5	28	30	0.45		
M-330-11半轴万向节总成 M-330-11 half axis universal joint assembly	412	83	745	127	75	58	φD1	4	15	25	0.55	35	55
							φD4	2.5	21	30	-0.05		
M-330-12半轴万向节总成 M-330-12 half axis universal joint assembly	302.5	83	575	127	55	55	φD1	3	16	20	0.15	35	27
							φD4	2	16	30	0.6		
M-330-13半轴万向节总成 M-330-13 half axis universal joint assembly	325.25	83	672	127	55	55	φD1	2.75	14	20	0.35	35	27
							φD4	2	19	30			